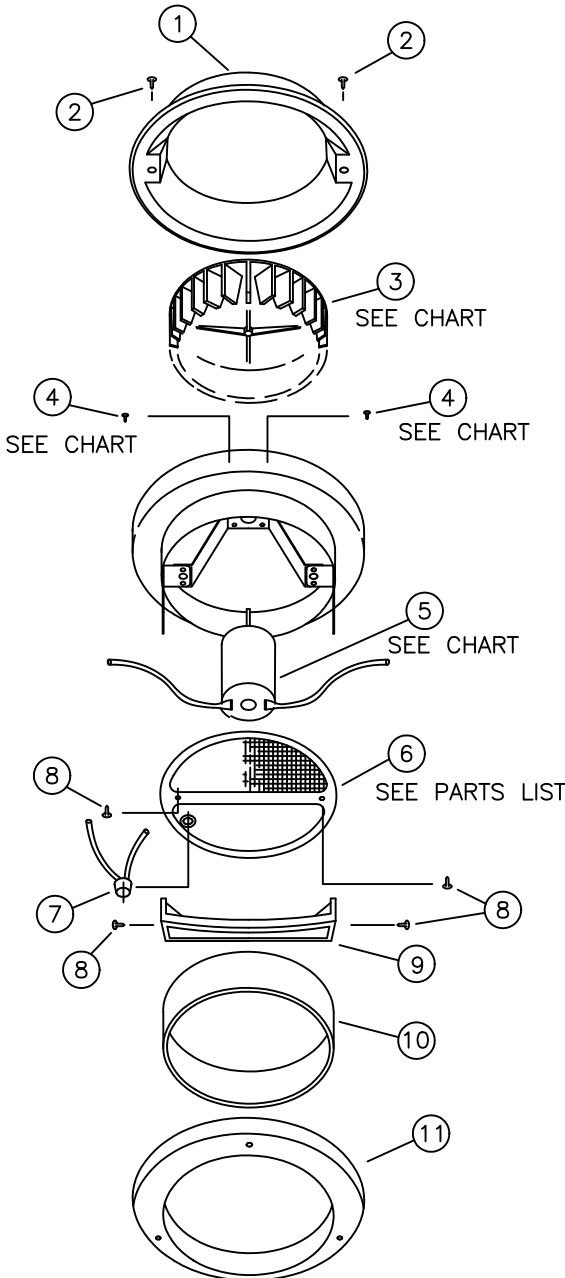


Installation Instructions

VENTLINE VANAIR VENT

Models Covered: "VP" (12Vdc. powered)

- 1) Cut a 6 1/4" diameter rough opening hole through the roof. The smaller diameter of the ceiling garnish may be used as a template
- 2) Remove the (2) screws located on the roof cap and remove cap to expose the mounting holes.
- 3) Apply sealant to entire mounting surface of flange.
- 4) If installing powered "VP" vent: Locate wire leads and make all electrical connections in accordance with local and other applicable codes. Black wire: (+) Positive, White wire: (-) Negative.
- 5) Insert vent into rough opening with the text on the flange "FRONT" oriented towards the front of the vehicle. Mount vent to roof with screws of sufficient length through the mounting holes in the flange.
- 6) Place ceiling garnish into opening. Drive #8 screws through mounting holes and tighten to ceiling. Be careful not to over tighten and distort garnish.

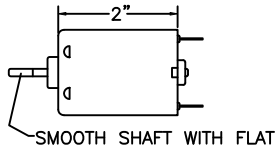
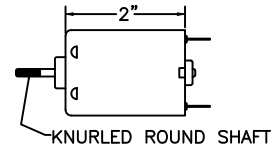
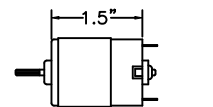


VANAIR VENT PARTS LIST
Order parts by part no. NOT by item no.

ITEM	QTY.	PART NO.	DESCRIPTION
01	1	VA0502-03	PLASTIC DOME ASSEMBLY
02	2	C0119-00	#8 X 1/4 SHT. METAL SCREW *
03	1	SEE CHART	BLOWER WHEEL
04	2	SEE CHART	MACHINE SCREW *
05	1	SEE CHART	12VDC. MOTOR
06	1	VC0515-05	SCREEN FRAME
07	1	V0199-03	PUSHBUTTON SWITCH
08	4	VA0212-00	#6 X 7/16 C'SUNK SCREW *
09	1	VA0207-05	PLASTIC HANDLE
10	1	VA0228-00	GARNISH EXTENSION RING **
11	1	VA0205-07	CEILING GARNISH

* PURCHASE LOCALLY
** SOLD SEPARATELY

MOTOR / FAN BLADE COMBINATIONS YOU MAY HAVE

 SMOOTH SHAFT WITH FLAT	 KNURLED ROUND SHAFT	
VA0164-00 MOTOR	VC0468-00 MOTOR	VD0218-00 MOTOR
VA0211-00 FAN BLADE	VC0467-00 FAN BLADE	VD0217-00 FAN BLADE
#4-40 MACHINE SCREW	#4-40 MACHINE SCREW	M2.6 MACHINE SCREW